



Advanced Pipe
Products & Services



EVERYTHING BUT THE PIPE

Advanced Pipe Products & Services
1526 Gleneagles Dr.
Bowling Green, OH 43402
Ph: 419-306-1129
Fax: 202-446-2918
E-mail: tim@4pipe.com
Web: www.4pipe.com

January 6, 2010
Volume 1, Version 4

TABLE OF CONTENT

About Advanced Pipe Products and Services	3
Products	
Stormwater Storage Chambers	4
Pipe and Fitting Coupling Systems.....	
Injection Molded Bells.....	5
Blow Molded Bells	6
Bell by Bell Couplers	7
Seal Tite Couplers	8
Snap Couplers	9
Flared End Sections	10
Injection Molded Parts	
Fittings (ells, wyes & tees).....	11
End Caps and Adaptors	12
Grate Inlets	13
Pipe Inspection/Cleanout Ports	14
Linear Drain Systems	15
HDPE Catch Basins	16
Custom Fittings	17
GeoTextiles	18
Gaskets	19
Product Order Form	20

About Advanced Pipe Products and Services

Advanced Pipe Products and Services was established to provide access to specialty products for the corrugated HDPE market.

Our primary market is to serve Corrugated HDPE manufacturers.

Our primary objective is to enable our customers to participate in markets or pipe system applications that they may not currently be participating in. Using Advance Pipe Products and Services will allow participation in these markets without investing capital equipment or investing in research and development for these products.

Our goal is to:

1. Provide access to insularly products for the corrugated pipe market.
2. Provide technical services for the corrugated pipe market.
3. Make our customers successful.

Our technical services are based on 18 years in the industry and a commitment to quality and technically sound engineering.

Mission

Our mission is to provide quality products and technically sound service at a competitive price.

The cornerstone of our business is honesty and integrity.

List Prices and Materials

- All pricing is list price. Call for your discount 419-306-1129.
- Prices do not include shipping.
- Prices are subject to change without notice.
- We will make ever effort to meet your pricing needs.
- All material must be installed in accordance with manufacture's recommendation.
- Thank you for your business.

ecoCHAMBER STORMWATER CHAMBER

DESCRIPTION

ecoChamber is an underground stormwater storage chamber. ecoChamber is rated for H-20 traffic load with as little as 18" of cover. ecoChamber is manufactured from high density polyethylene. Advanced Pipe Products and Services offers free engineering services to get the product specified. ecoChamber is one of the most cost effective methods of storing excess stormwater. Other features include:

- Engineering services include site storage calculations & CAD site drawings
- HDPE meets requirements of Corrugated HDPE pipe
- Installation training for contactors available via webinars
- ecoChamber fits into a smaller foot print that competitive chamber designs
- Increase projects to bid and profits with no capital investment in chambers
- Integrated end caps no extra parts or cost



ecoChamber 3052 – High Capacity Chamber
52" wide X 30.5" tall and 11.3 cubic feet of water storage (per linear feet of lay length) when installed with 6" of stone base.



ecoChamber 2036 – Low Profile Chamber
36" wide X 20" tall and 5.7 cubic feet of water storage (per linear feet of lay length) when installed with 6" of stone base.

PRICE



ecoChamber		
Chamber	SKU #	List Price
High Capacity Chamber		
Middle Chamber	2003052M	\$250.00
Start Chamber	2003052S	"
End Chamber	2003052E	"
Double Chamber	2003052D	"
Low Profile Chamber		
Middle Chamber	2002036M	\$220.00
Start Chamber	2002036S	"
End Chamber	2002036E	"
Double Chamber	2002036D	"

Notes:

1. Pricing does not include freight and is subject to change without notice.
2. Allow 2-4 weeks for delivery.

INJECTION MOLDED BELLS

DESCRIPTION

Injection molded bells are designed with extra length, heavy duty wall thickness and to fit over full height corrugations for Corrugated HDPE pipe. Specially designed gaskets are available for most sizes. Uses include:

- Maximize shipping container space by customizing pipe length
- High Precision Injection Mold
- Make an HDPE catch basin and fittings with Quick Bell Laterals
- Convert plan end pipe to bell and spigot pipe
- Convert plan end fittings to bell and spigot WT fittings
- Designed to be welded on corrugation face

PRICE



INJECTION MOLDED BELL			
NOMINAL Pipe Dia. (in.)	MANUFACTURER - COMPATIBILITY	BELL SKU#	List Price
6"	PCP, SF, CPP, ADS, JME, LN	90114	\$4.03
	QC	90100	"
8"	ADS, JME	90108	\$7.44
	PCP, SF, CPP	90115	"
10"	PCP, CPP, LN	90109	\$10.14
	ADS, JME	90102	"
12"	JME	90105	\$14.33
	ADS, BD, CPP, PCP, QC, LN	90117	"
15"	JME	90106	\$16.10
	ADS, QC, PCP,	90119	"
18"	ADS, QC, PCP, JME	90110	\$30.27
	BD, CPP, LN	90120	"

Notes:

1. Other sizes are available.
2. Gasket not included.
3. Bells may be compatible with other manufacturers not listed above.
4. Manufacturing Code:

ADS - ADS

AT - ArmTech

BD - Blue Diamond

CPP - Crumpler Plastic Pipe

FC - Fratco

JME - JM Eagle

LN - Lane Enterprises, Inc.

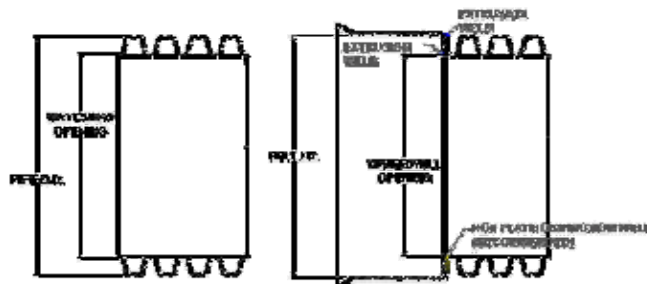
PCP - Pacific Corrugated Plastic Pipe

PRI - Prinsco

QA - Quality Culverts

SP - Springfield

* Outside diameters should be provided with order to verify proper fit.

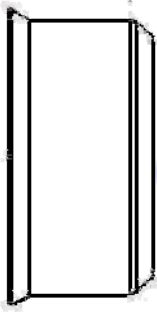


BLOW MOLDED BELLS

DESCRIPTION

Blow molded bells are an alternative to injection molded bells. These bells are excellent for converting plain end fittings into silt tight fittings. Adaptor gaskets available for most manufacturers.

PRICE



Blow Molded Bells			
NOMINAL Pipe Dia. (in.)	MANUFACTURER - COMPATIBILITY	BELL SKU#	List Price
12"	Call for Compatibility "	212BM00B	\$ 17.75
15"	"	215MB00B	\$ 26.43
18"	"	218BM00B	\$ 53.16
24"	"	224BM00B	\$ 73.90
30"	"	230BM00B	\$ 122.34
36"	"	236BM00B	\$ 127.30
42"	"	242BM00B	\$ 199.93

Notes:

1. Pricing does not include freight and is subject to change without notice.
2. Allow 2-4 weeks for delivery.
3. Gaskets not included in price.

BELL-BY-BELL COUPLER

DESCRIPTION

Extra heavy weight bell by bell couplers. Specially designed gaskets are available for most sizes. Special uses include:

- Maximize shipping container space by customizing pipe length
- High Precision Injection Mold
- Make low cost HDPE catch basins and fittings by drilling and welding
- Convert plain end pipe to bell and spigot pipe
- Convert plan end fittings to bell and spigot WT fittings
- Convert field cut pipe into bell-by-bell WT pipe

PRICE



Injection Molded Bell by Bell Couplers			
NOMINAL Pipe Dia. (in.)	MANUFACTURER - COMPATIBILITY	BELL SKU#	List Price
4"	Call for Compatibility	104IMBBB	\$ 2.42
6"	"	106IMBBB	\$ 4.80
8"	"	108IMBBB	\$ 9.60
10"	"	110IMBBB	\$ 15.26
12"	"	112IMBBB	\$ 18.60
15"	"	115IMBBB	\$ 72.18
18"	"	118IMBBB	\$ 83.58
24"	"	124IMBBB	\$ 220.86
30"	"	130IMBBB	\$ 257.60
36"	"	136IMBBB	\$ 339.08

Notes:

1. Pricing does not include freight and is subject to change without notice.
2. Allow 2-4 weeks for delivery.
3. Gasket not included in price

SEAL-TITE COUPLERS

DESCRIPTION

Seal Tite couplers are the latest innovation in pipe sealing technology. The patent pending couplers tighten on the corrugations to form a silt tight or watertight seal. Visit www.4pipe.com for specification and installation information. Some of the Seal Tite features include:

- Connects two manufacturer's pipe together
- Convert plan end fittings to silt tight and watertight fittings
- Preferred by contractors over the mastic field couplers

PRICE



SEAL-TITE COUPLER			
NOMINAL Pipe Dia. (in.)	MANUFACTURER - COMPATIBILITY	BELL SKU#	List Price
12"	ADS, BD, QC, PCP, PRI, JME, LN	312ST00B	\$43.80
	HAV	312ST01B	"
	CPP	312ST02B	"
15"	ADS, JME, PRI, HAV	315ST00B	\$46.50
	QC, PCP, LN	315ST01B	"
	BD, CPP	315ST02B	"
18"	ADS, JME	318ST00B	\$58.20
	PCP, PRI, QC	318ST01B	"
	BD, CPP	318ST02B	"
24"	ADS, QC, PCP, JME	324ST00B	\$98.50
	CPP, AT	324ST01B	"
	BD, PRI,	324ST02B	"
	LN	324ST03B	"
30"	ADS, QC, AT,	330ST00B	\$110.00
	CPP, PCP	330ST01B	"
	JME	330ST02B	"
	LN	330ST03B	"
36"	ADS, CPP, LN	336ST00B	\$130.00
	QC, JME, BDI	336ST01B	"
	PCP	336ST02B	"
	AT	336ST03B	"
42"	ADS	342ST00B	\$177.00
	CPP, LN	342ST01B	"
	QC, JME, PCP, BDI	342ST02B	"
48"	ADS, JME	348ST00B	\$199.00
	CPP, QC, PCP, BDI	348ST01B	"
	LN	348ST02B	"

Notes:

1. Custom sizes available to increase compatibility between manufacturers.
2. All pricing FOB OH.
3. Allow 2-4 weeks for delivery.
4. Manufacturing compatibility code:

ADS - ADS
 AT - ArmTech
 BD - Blue Diamond
 CPP - CRUMPLER

FC - Fratco
 JME - JM Eagle
 LN - Lane
 PCP - Pacific Corrugated Plastic Pipe

PRI - Prinsco
 QA - Quality Culverts
 SP - Springfield

* Outside diameters should be provided with order to verify proper fit.

SNAP COUPLERS (4")

DESCRIPTION

Snap couplers are simple coupling devices designed for corrugated HDPE pipe. High precision injection molded couplers ensure proper fit every time and are low cost. 4" external couplers are for dual wall or single wall pipe. 4" internal snap coupler is designed for single wall pipe only.

PRICE



4" Internal Snap Coupler			
SIZE	DESCRIPTION	SKU#	List Price
4"	Black; (not shown)	104IMSCB	\$ 1.68
4"	Green; (shown)	104IMSCG	\$ 1.68



4" External Snap Coupler			
SIZE	DESCRIPTION	SKU#	List Price
4"	Black; (not shown)	104IMBBB	\$ 2.42
4"	Green; (shown)	104IMBBB	\$ 2.42

Notes:

1. Pricing does not include freight and is subject to change without notice.
2. Allow 2-4 weeks for delivery.

FLARED END SECTIONS

DESCRIPTION

Flared end sections are compatible with all manufacturers of corrugated HDPE pipe. Visit www.4pipe.com or call for detailed specifications, dimensions and/or installation instructions. Features include:

- Heavy duty UV and corrosion resistant thread rods for 12" to 24" diameter sections
- Built in toe trough to anchor end and prevent uplift
- Meets industry standard for UV resistance

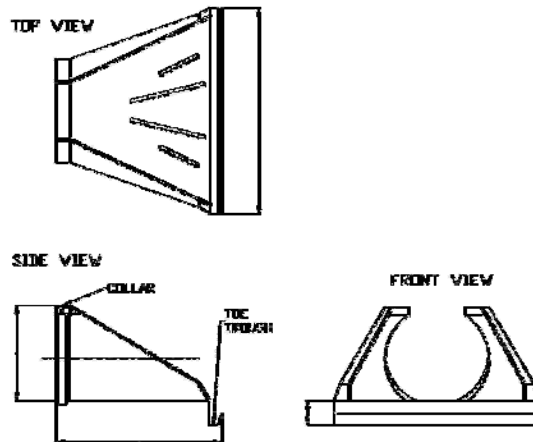
PRICE



Flared End Section Pricing		
SIZE	SKU#	List Price
12"	FE-83121	\$122.00
15"	FE-83151	\$122.00
18"	FE-83181	\$210.00
24"	FE-83241	\$250.00
30"	FE-83301	\$588.00
36"	FE-83361	\$588.00

Notes:

1. Pricing does not include freight and is subject to change without notice.
2. Allow 2-4 weeks for delivery.
3. Threaded rod provided with 30" and 36". Threaded rod for 30" and 36" may be delivered separately.



INJECTION MOLDED FITTINGS

DESCRIPTION

Injection molded fittings are currently available for 4" diameter. Belled ends available with cleats and without cleats. All fittings are available in Landscape Green or Black.

- Non-cleated fittings replace fabricated HDPE saving time and lowering cost
- Bells available with and without locking cleats
- Seamless injection molded fitting combined with gasket ensure watertight connections
- Cleated parts lock into corrugations & used in lieu of blow molded fittings
- Patented waterlock gasket available for additional \$0.75 each
- Unique bell notch design makes field connections quick and simple

PRICE



4" Injection Molded 90° Elbow			
SIZE	DESCRIPTION	SKU#	List Price
4"	Black; smooth bell without cleats (not shown)	104IMLPB	\$ 5.30
4"	Green; smooth bell without cleats (not shown)	104IMLPG	\$ 5.30
4"	Black; cleats in bell (not shown)	104IMLCB	\$ 5.30
4"	Green; cleats in bell (shown)	104IMLCG	\$ 5.30



4" Injection Molded Tee-Wye			
SIZE	DESCRIPTION	SKU#	List Price
4"	Black; smooth bell without cleats (not shown)	104IMTPB	\$ 6.62
4"	Green; smooth bell without cleats (not shown)	104IMTPG	\$ 6.62
4"	Black; cleats in bell (not shown)	104IMTCB	\$ 6.62
4"	Green; cleats in bell (shown)	104IMTCG	\$ 6.62



4" Injection Molded 45° Wye			
SIZE	DESCRIPTION	SKU#	List Price
4"	Black; smooth bell without cleats (shown)	104IMYPB	\$ 7.08
4"	Green; smooth bell without cleats (not shown)	104IMYPG	\$ 7.08
4"	Black; cleats in bell (not shown)	104IMYCB	\$ 7.08
4"	Green; cleats in bell (not shown)	104IMYCG	\$ 7.08

INJECTION MOLDED END CAPS & DOWNSPOUT ADAPTOR

DESCRIPTION

Injection molded end caps grates and adaptor available in Landscape Green or Black.

PRICE



4" INTERNAL SNAP END CAP			
SIZE	DESCRIPTION	SKU#	List Price
4"	Black; fits into the end of corrugated HDPE pipe. Cleats lock into corrugations (not shown)	104ISECB	\$1.34
4"	Green; fits into the end of corrugated HDPE pipe. Cleats lock into corrugations (shown)	104ISECG	\$1.34



4" EXTERNAL END CAP			
SIZE	DESCRIPTION	SKU#	List Price
4"	Black; fits over outside of 4" corrugated or dual wall pipe. Cleats lock into corrugations. (not shown)	104IEECB	\$2.60
4"	Green; fits over outside of 4" corrugated or dual wall pipe. Cleats lock into corrugations. (shown)	104IEECG	\$2.60



Downspout Adaptors			
SIZE	DESCRIPTION	SKU#	List Price
4"	4" X 3" X 2" Black down spout adaptor ties into 4" corrugated HDPE (shown)	104BDSAB	\$1.88
6"	6" X 6" X 4" Black; down spout adaptor ties into 6" corrugated HDPE (not shown). It is noted this part is blow molded.	106BDSAB	\$9.50



4" HDPE to PVC Adaptor			
SIZE	DESCRIPTION	SKU#	List Price
4"	Black; smooth bell without cleats tapered end fits into all SDRs of PVC 4" pipe. (not shown)	104IMPPB	\$ 4.20
4"	Green; smooth bell without cleats tapered end fits into all SDRs of PVC 4" pipe. (not shown)	104IMPPG	\$ 4.20
4"	Black; cleats in bell tapered end fits into all SDRs of PVC 4" pipe. (not shown)	104IMPCB	\$4.20
4"	Green; cleats in bell tapered end fits into all SDRs of PVC 4" pipe. (shown)	104IMPCG	\$4.20

INJECTION MOLDED GRATES

DESCRIPTION

Injection molded grates are currently available for 4" diameter. All fittings are available in Landscape Green or Black.

PRICE



4" Grate Inlet			
SIZE	DESCRIPTION	SKU#	List Price
4"	Black; small mesh for grates prevents entry of unwanted debris. Cleats lock into corrugations (not shown)	104IGICB	\$2.41
4"	Green; small mesh for grates prevents entry of unwanted debris. Cleats lock into corrugations (shown)	104IGICG	\$2.41



4" Grate Inlet w/ Stainless Steel			
SIZE	DESCRIPTION	SKU#	List Price
4"	Black; with stainless screws and stainless steel bars to increase strength and prevent rodent entry. (not shown)	104IGSSB	\$6.40
4"	Green; with stainless screws and stainless steel bars to increase strength and prevent rodent entry. (shown)	104IGSSG	\$6.40



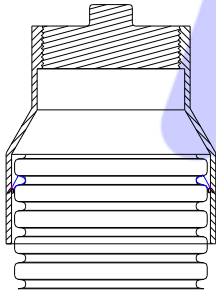
4" Grate Inlet Disk			
SIZE	DESCRIPTION	SKU#	List Price
4"	Black; disk grate locks into single wall corrugations (not shown)	104IGDCB	\$1.52
4"	Green; with cleats to lock into corrugations (shown)	104IGDCG	\$1.52

Cleanouts and Inspection Ports

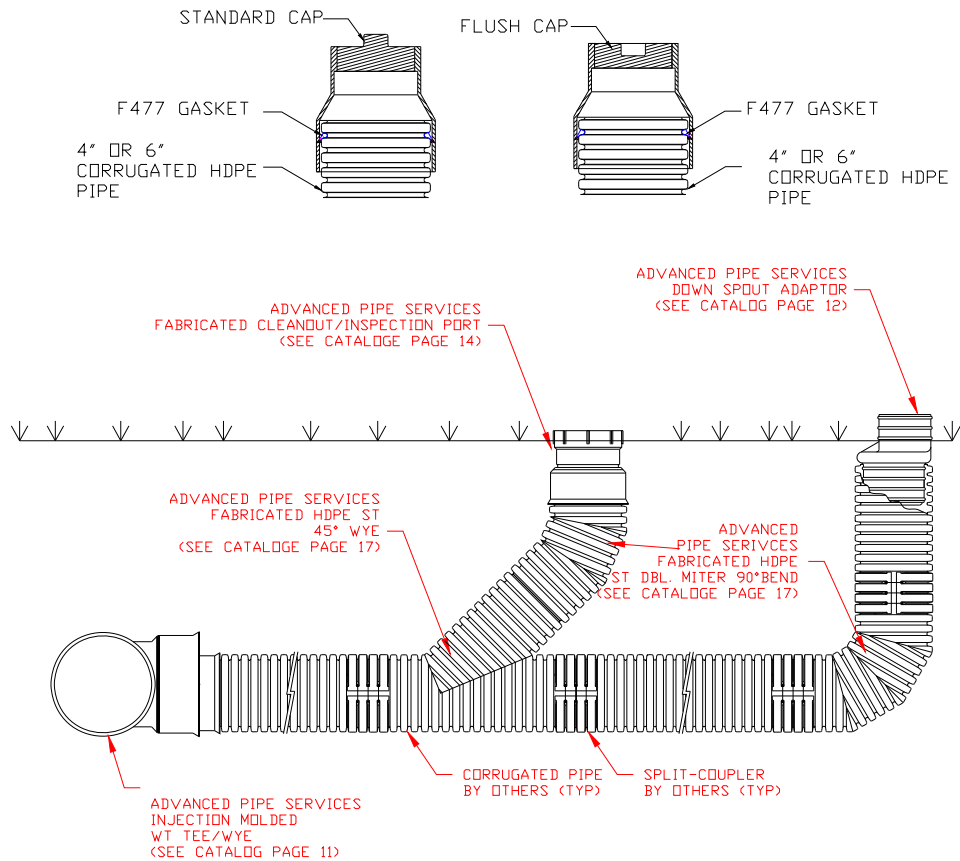
DESCRIPTION

PVC cleanout with threaded cap. Special bell fits 4" or 6" corrugated HDPE pipe. Belled end designed to fit over most corrugated HDPE pipe diameters. Parts fabricated from PVC. Gasket included.

PRICE



PVC Cleanout/Inspection Port		
Description	SKU#	List Price
4" PVC cleanout/inspection port with standard cap (gasket included)	904PVCSW	\$32.00
4" PVC cleanout/inspection port with flush cap (gasket included)	904PVCFW	\$36.00
6" PVC cleanout/inspection port with standard cap (gasket included)	906PVCSW	\$57.00
6" PVC cleanout/inspection port with flush cap (gasket included)	906PVCFW	\$63.00



Linear Drain

DESCRIPTION

Stainless inlet and liner drain for Corrugated HDPE. This product is used for special applications that require interception of sheet flow.

PRICE



Linear Drain Stainless Steel		
Description	SKU#	List Price
Special order part	800LINRS	QUOTE



HDPE CATCH BASINS

DESCRIPTION

Catch Basins fabricated from SDR 41 or SDR 32.5 Solidwall HDPE pipe. HDPE is more durable resistant HDPE and the ability to handle freeze thaw cycles in cold climates makes HDPE catch basins a product of choice. Use of our injection molded fittings and gaskets keeps fabrication cost down with the exclusive Quick Bell Laterals. Smooth exterior eliminates the drag down force exerted on catch basins as soil consolidates.



Quick Bell Lateral

Standard Lateral



Quick Bell Lateral

PRICE

Call (419)-306-1129 for quote



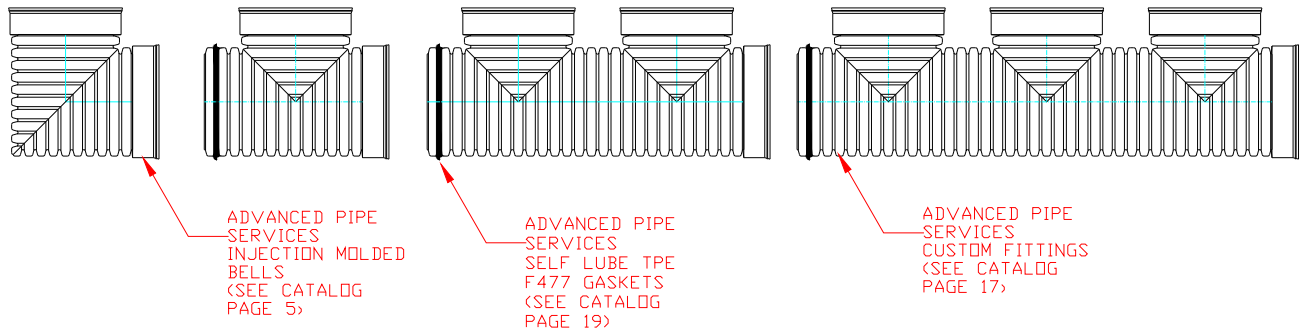
HDPE Catch Basins		
Description	SKU#	List Price
Special order part		QUOTE

CUSTOM FITTINGS

DESCRIPTION

Advanced Pipe Products and Services offers a complete line of custom and standard fittings in sizes from 4" to 60". Fittings can be fabricated out of our stock inventory or made from your pipe. Fittings include Elbows, Tees, Wyes, etc... All fittings welded inside and out (when size permits). Hot plate welding for smaller sizes ensures high quality welds. Quality minded craftsmen work on each fitting to ensure corrugations are lined up to maximize strength of fittings.

APS enables you to service peak demands without costly expansion of manufacturing capabilities. Additionally with over 18 years in the corrugated HDPE industry, you are ensured of proper design and applications.



PRICE

Call (419) 306-1129 for quotes:

Custom fittings		
Description	SKU#	List Price
Special order part		QUOTE

GEOTEXTILE

DESCRIPTION

Mirafi geotextiles are the gold standard for geotextile materials. Applications for non-woven geotextile include wrapping detention systems and pipe trenches to prevent migration of fines into backfill.

PRICE



Geotextile		
Description	SKU#	List Price
Mirafi 135N Nonwoven Geotextile Fabric 15' X 300' (500 sq. yds.)	200135NB	\$504.00
Mirafi 140N Nonwoven Geotextile Fabric 15' X 300' (500 sq. yds.)	200140NB	\$576.00
Mirafi 160N Nonwoven Geotextile Fabric 15' X 300' (500 sq. yds.)	200016NB	\$528.00
Mirafi 180N Nonwoven Geotextile Fabric 15' X 300' (500 sq. yds.)	200180NB	\$672.00
Mirafi 500X Woven Geotextile Fabric 12.5' X 432' (600 sq. yds.)	212500XB	\$604.80
Mirafi 500X Woven Geotextile Fabric 17.5' X 309' (500 sq. yds.)	217500XB	\$604.80

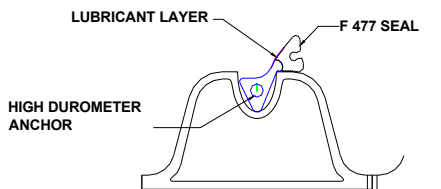
F 477 GASKET – NO LUBE TPE

DESCRIPTION

Cutting edge technology for gasketed pipe joint sealing from Springseal, Inc. Thermoplastic Elastomer (TPE) gaskets are changing the pipe industry with better performance and lower cost pipe joint sealing. Features include the following:

- Self lubricated gaskets reduce labor and increase reliability
- Lower long-term compression set relative to standard polyisoprene gaskets, which means greater long-term watertight performance.
- Superior ozone and chemical resistance (exceeds EPDM rubber Chemical resistance performance)
- ASTM D 3212 water tight joint testing available for 4" to 60" diameters.
- Lower cost high performance sealing
- 25-year UV resistance

PRICE



Gasket shown is the patented Waterlock Gasket. Other profiles not shown may be used to maximize WT sealing capacity.



TPE GASKETS			
Nominal Pipe Size (in.)	Profile Code	Cut Length (in.)	List Price (\$)
8	SSWL12	27	0.99
10	SSWL12	30	1.16
10	SSWL18	34	1.43
12	SSWL12	37	1.38
15	SSWL12	45.75	1.60
18	SSWL12	56	1.95
18	SSWL18	57	2.37
24	SSWL12	73	2.48
24	SSWL18	77	3.03
30	SSWL30	92	4.49
30	SSWL36	93	6.23
36	SSWL36	108	7.06
42	SSWL36	126	8.13
48	SSWL36	140	8.99
60	SSWL36	169	11.03

Note: Price shown are based on a minimum order of 250 and the assumption that existing gasket profiles will match existing pipe dimensions. Changing gasket profiles or cut lengths will change gasket cost. Discounts available for greater order quantities. Shipping not included, all pricing FOB Ohio.

